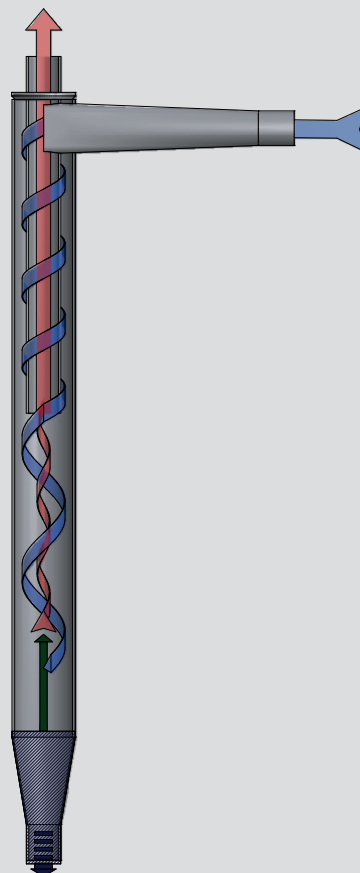


# BELKI Hydro cyclone



## Area of use

Hydro cyclones are used to separate particles from fluids. They are able to handle large volumes of fluids with small particles. Hydro cyclones can be used for fluids up to 3 cSt.

## Operation

Common use of hydro cyclones is for grinding fluids. Separation of sand from water is another example of common use.

## Advantages

The separation of particles from large volumes of fluid is possible with a hydro cyclone. The BELKI hydro cyclone has a patented inlet pipe, which enables the inflow of the fluid to go directly into rotation without creating turbulence inside the hydro cyclone. The BELKI hydro cyclone can be delivered in standard and heavy duty editions.

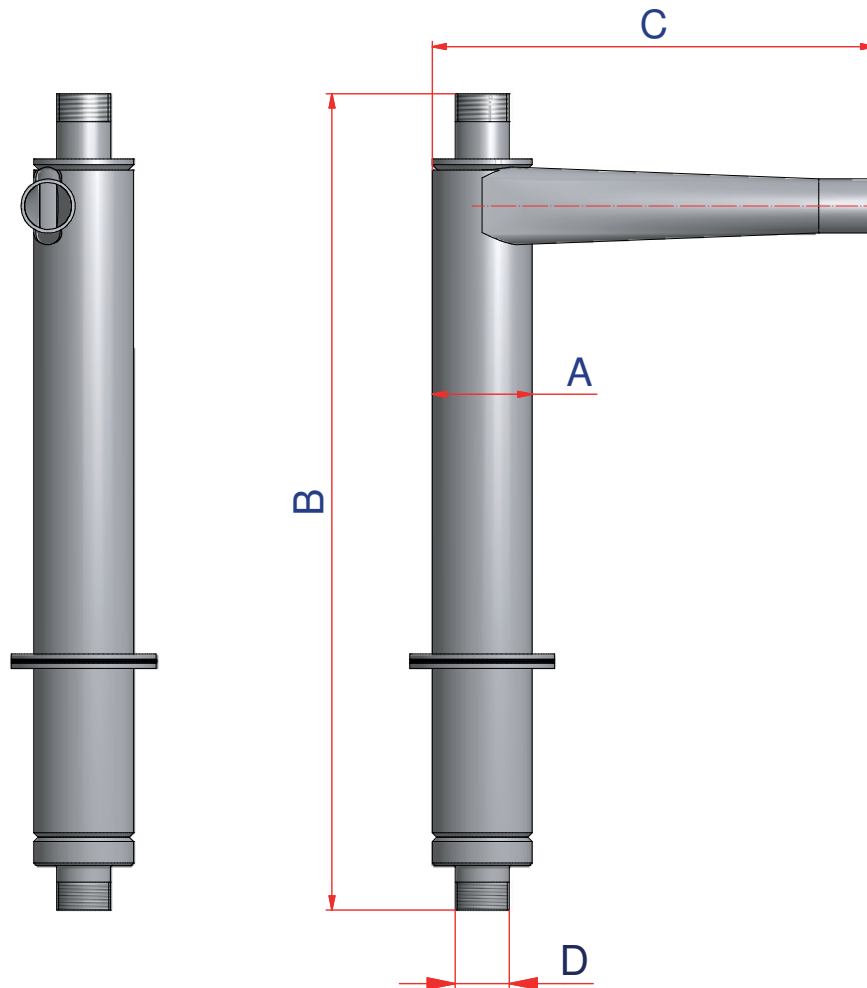
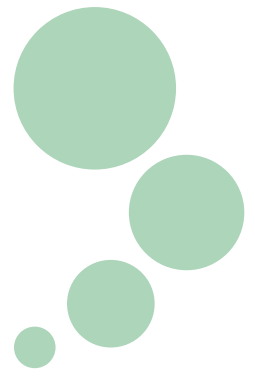
**BELKI Filtertechnik GmbH**  
Ostpromenade 54, D-52525 Heinsberg  
Tel +49 (0) 2452 10651-27  
www.belki.de • info@belki.de



Filtration with capacity

Hovedkontor / Headoffice / Hauptsitz:  
**BELKI teknik ApS**  
Fårupvej 19, DK-8840 Rødkærsbro  
Tel +45 8665 8811  
www.belki.dk • post@belki.dk

## Technical Specifications



Item number	A	B	C	D	l/min	Pressure drop	Max. pressure
T70-005-500	42	395	141	1/2"	30-50	1-2 bar	10 bar
T70-006-600	48	415	224	3/4"	50-70	1-2 bar	10 bar
T70-007-700	60	530	230	1"	70-100	1-2 bar	10 bar
T70-008-800	76	620	358	1 1/4"	100-150	1-2 bar	10 bar
T70-009-900	89	728	395	1 1/2"	150-250	1-2 bar	10 bar
T70-010-1000	114	997	430	2"	300-400	1-2 bar	10 bar

Presented by / Überreicht durch:



Filtration with capacity